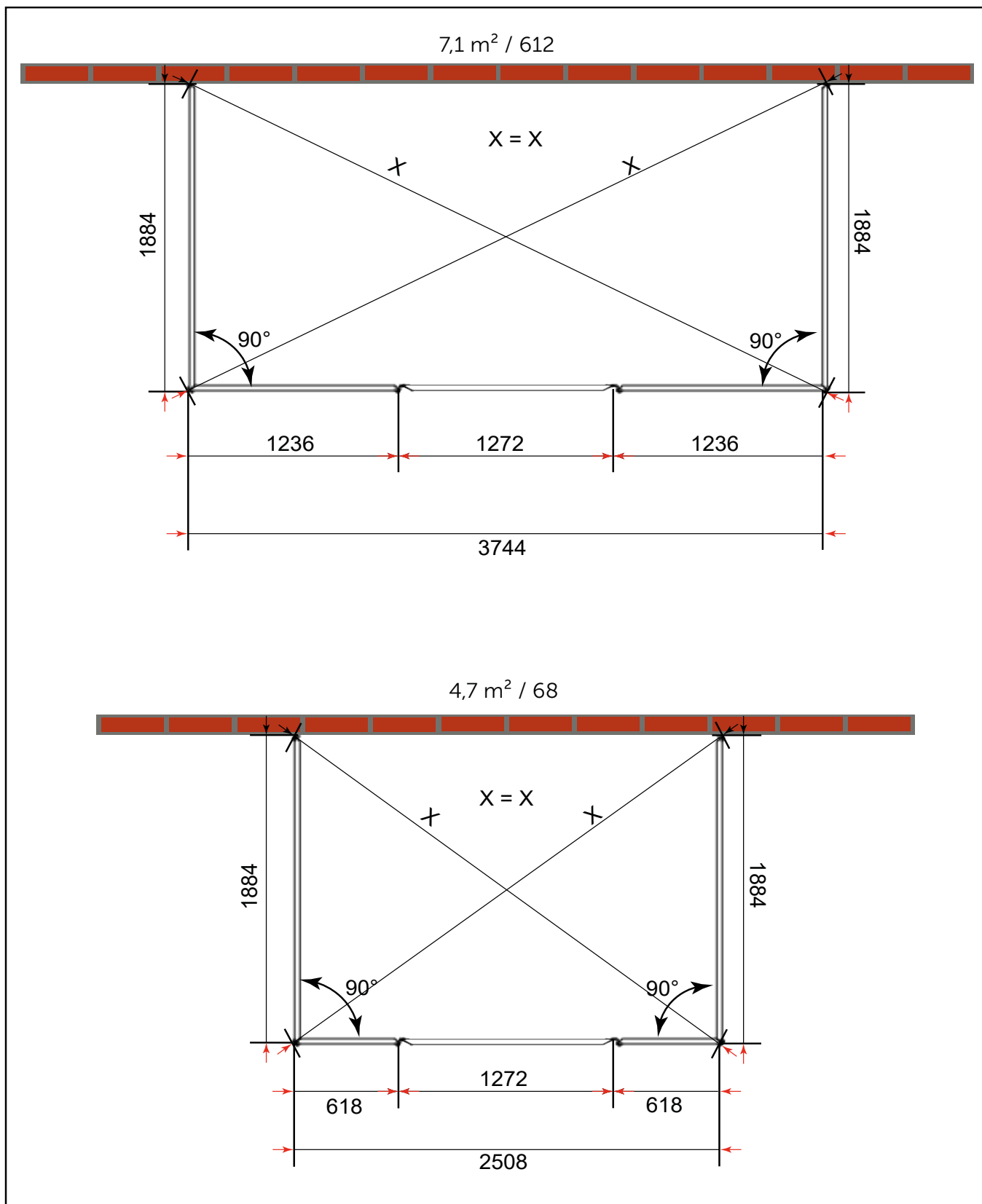
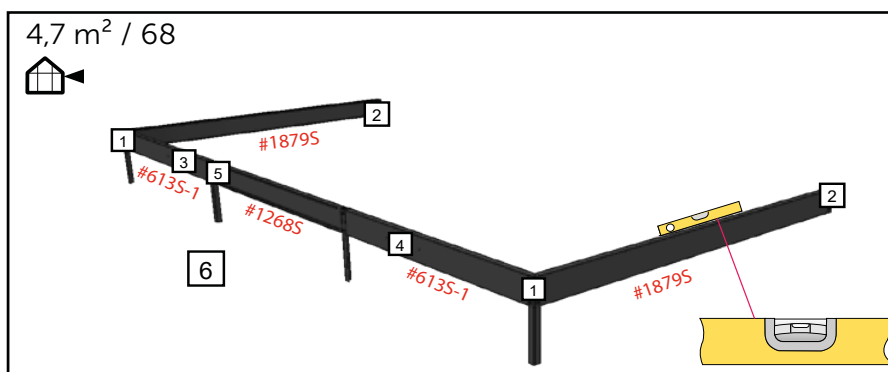
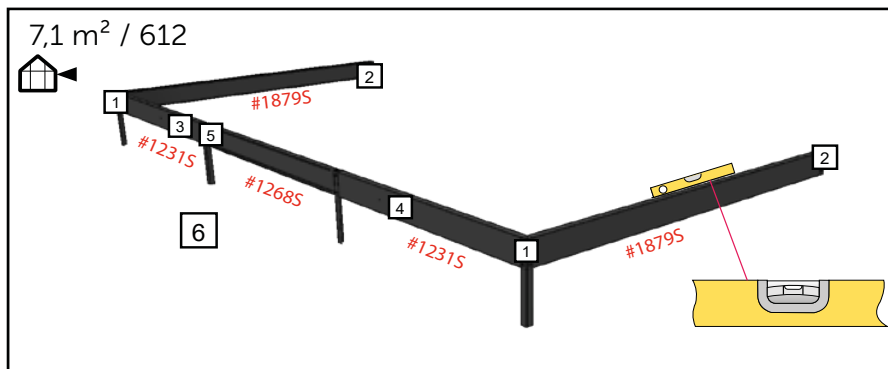


FUNDAMENT - BASE - EMBASE - FUNDERING - PERUSTUS



FUNDAMENT - BASE - EMBASE - FUNDERING - PERUSTUS



	#	mm	4,7 m ² 68	7,1 m ² 612
	280	-	32	32
	992S	-	8	10
	995	M6 x 10	20	20
	996	M6	20	20
	989S	345	2	2
	341S	345	1	1
	342S	345	1	1
	889S	114	2	2
	613S-1	613	2	-
	1231S	1231	-	2
	1268S	1268	1	1
	1879S	1879	2	2

